



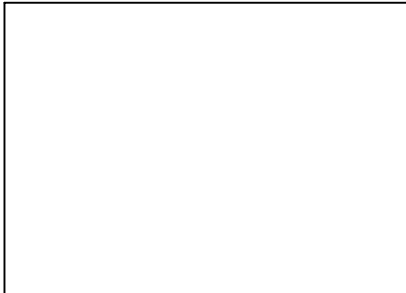
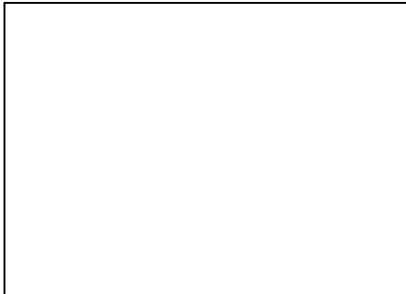
VELJAN

Service Information SS4-00148

VM4E -VM4E1

VM4SE -VM4SE1

Single vane motor



PHOTO

MODEL CODE

VM4*E1

VM4*E - 214 - 1 N 00 - B 5 02 *

Series external drain
Series internal drain

Torque

153 = 2.52 Nm/bar
185 = 3.05 Nm/bar
214 = 3.53 Nm/bar

Type of shaft

1 - keyed (SAE C)
3 - splined (SAE C)

Rotation

N - Bi-directional

* S = Severe duty motor

VM4E1-VM4SE1 : Drain port is plugged

View from shaft end:

CW rotation A = inlet
B = outlet

CCW rotation A = outlet
B = inlet

Modifications

Port connections

01 = SAE threaded port
SAE drain
02 = SAE 4 bolt flange
UNC threaded - SAE drain
04 = SAE 4 bolt flange
UNC threaded - BSPP drain

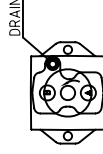
Seal class

5 - S5

Design letter

Porting combination

00 - standard



00

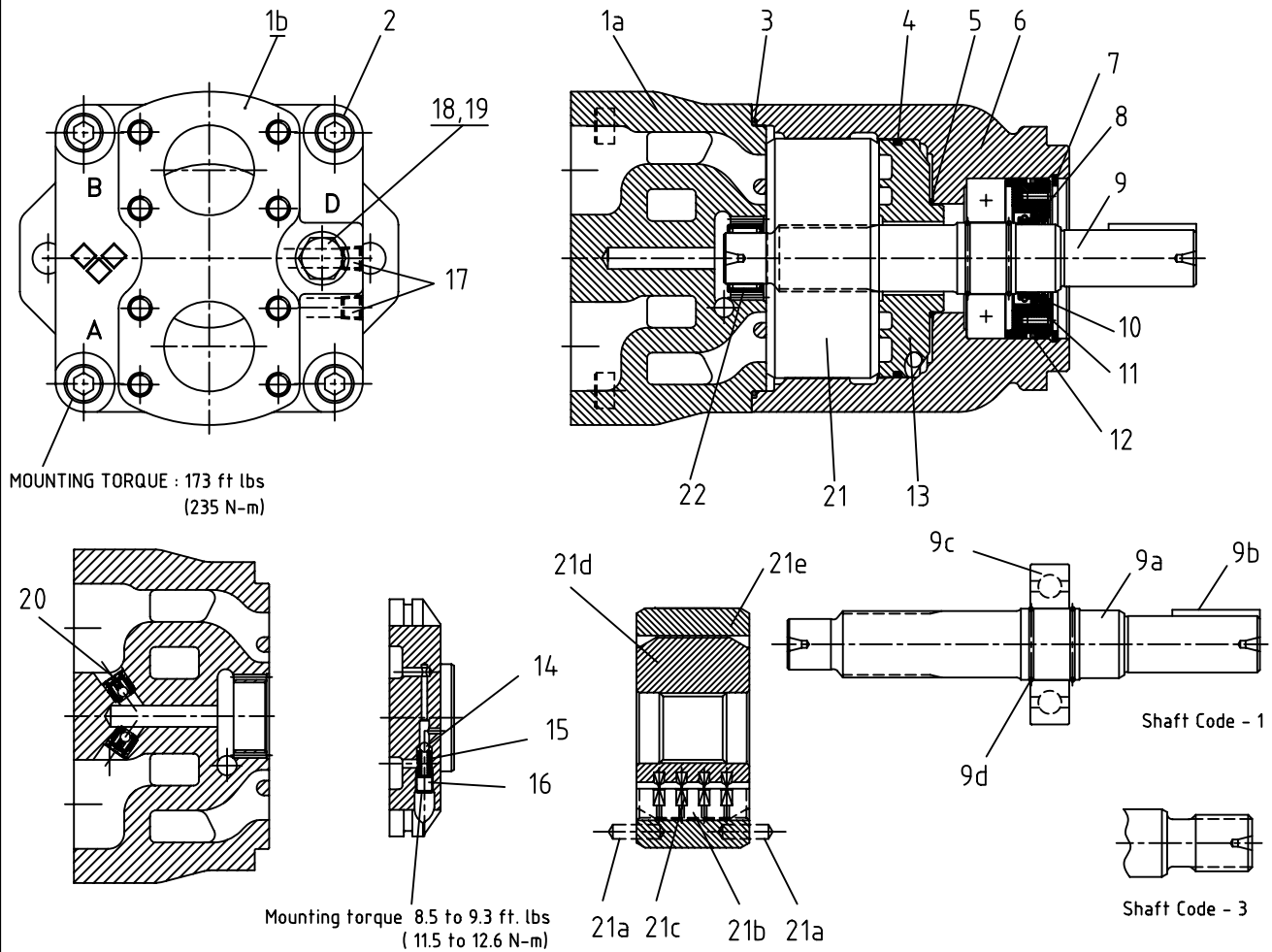
Veljan Hydrair Limited , Balanagar , Hyderabad – 500 037 , INDIA . Phone : ++91 40 3772794,95 FAX : ++91 40 3773963 , E-mail : info@veljan.com

Rights of alteration reserved

Print	_____
Replace	_____
Revision	_____

Printed in India

Bold printed are recommended repair kits and assemblies



Item pos.	Description	Part No.				Qty
		VM4E	VM4E1	VM4SE	VM4SE1	
1	End cap thd port SAE (SAE DRAIN 01)	H-034-71290	H-034-71291	H-034-71290	H-034-71291	1
	End cap 4bolts UNC (SAE DRAIN 02)	H-034-71288	H-034-71289	H-034-71288	H-034-71289	
	End cap 4bolts UNC (BSP DRAIN 04)	H-034-66375	C-034-03344	H-034-66375	C-034-03344	
2	Screw	V358-24380	V358-24380	V358-24380	V358-24380	4
3	'O' ring	V675-00257	V675-00257	V675-00257	V675-00257	1
4	Sq. section seal	V695-10250	V695-10250	V695-10250	V695-10250	1
5	Sq. section seal	V695-10229	V695-10229	V695-10229	V695-10229	1
6	Housing (standard)	H-034-71278	H-034-71278	H-034-71278	H-034-71278	1
7	Retaining ring	V356-30354	V356-30354	V356-30354	V356-30354	1
8	Retaining seal	H-034-70069	H-034-70069	H-034-70069	H-034-70069	1
9	Shaft and bearing ass'y (code-1)	VS14-27469	VS14-27469	VS14-27469	VS14-27469	1
	Shaft and bearing ass'y (code-3)	VS14-27470	VS14-27470	VS14-27470	VS14-27470	
9a	Shaft (keyed) (code-1)	H-034-71088	H-034-71088	H-034-71088	H-034-71088	1
	Shaft (splined) (code-3)	H-034-71089	H-034-71089	H-034-71089	H-034-71089	
9b	Key Code-1	V034-46754	V034-46754	V034-46754	V034-46754	1
9c	Ball bearing	V230-03308	V230-03308	V230-03308	V230-03308	1
9d	Round section ring	V034-70866	V034-70866	V034-70866	V034-70866	2
10	Felt wiper	V605-10020	V605-10020	V605-10020	V605-10020	1
11	Shaft seal	V637-00003	V637-00003	V637-00003	V637-00003	1
12	'O' ring	V675-00236	V675-00236	V675-00236	V675-00236	1

Item pos.	Description	Part No.				Qty
		VM4E	VM4E1	VM4SE	VM4SE1	
13	Port plate - pressure	H-034-53344	H-034-53344	H-034-53344	H-034-53344	1
14	Ball	V201-06001	V201-06001	V201-06001	V201-06001	1
15	Adaptor valve	V034-53346	V034-53346	V034-53346	V034-53346	1
16	Screw	V312-35056	V312-35056	V312-35056	V312-35056	1
17	Plug	V431-90400	V431-90400	V431-90400	V431-90400	2
18	'O' ring		V675-00908		V675-00908	1
19	Plug		V488-35002		V488-35002	1
20	Check valve		VS14-27259		VS14-27259	2
21	Cartridge Kit 153	VS14-27464	VS14-27464	VS14-28946	VS14-28946	1
	Cartridge Kit 185	VS14-27465	VS14-27465	VS14-28947	VS14-28947	
	Cartridge Kit 214	VS14-27466	VS14-27466	VS14-28948	VS14-28948	
21a	Dowel pin	V324-22012	V324-22012	V324-22012	V324-22012	2
21b	Vane	H-034-70075	H-034-70075	H-034-70075	H-034-70075	10
21c	Vane spring	V034-49743	V034-49743	V034-49743	V034-49743	40
21d	Rotor	H-034-70074	H-034-70074	H-034-70074	H-034-70074	1
21e	Cam ring 153	H-034-70076	H-034-70076	H-034-70417	H-034-70417	1
	Cam ring 185	H-034-70077	H-034-70077	H-034-70418	H-034-70418	
	Cam ring 214	H-034-70078	H-034-70078	H-034-70419	H-034-70419	
22	Needle bearing	V230-82134	V230-82134	V230-82134	V230-82134	1
1, 20	End cap assy thd port SAE (SAE DRAIN 01)	VS14-42331	VS14-42331	VS14-42333	VS14-42333	1
17	End cap assy 4bolts UNC (SAE DRAIN 02)	VS14-42330	VS14-42330	VS14-42332	VS14-42332	
19	End cap assy 4bolts UNC (BSP DRAIN 04)	VS14-97018	VS14-97018	C-S14-72302	C-S14-72302	
16,15	Port plate pressure assembly	VS14-27471	VS14-27471	VS14-27471	VS14-27471	1
14,13						
3,4,5	Seal kit	VS14-42336-5	VS14-42336-5	VS14-42336-5	VS14-42336-5	1
10,12						
18,11						